

DESCRIPTION

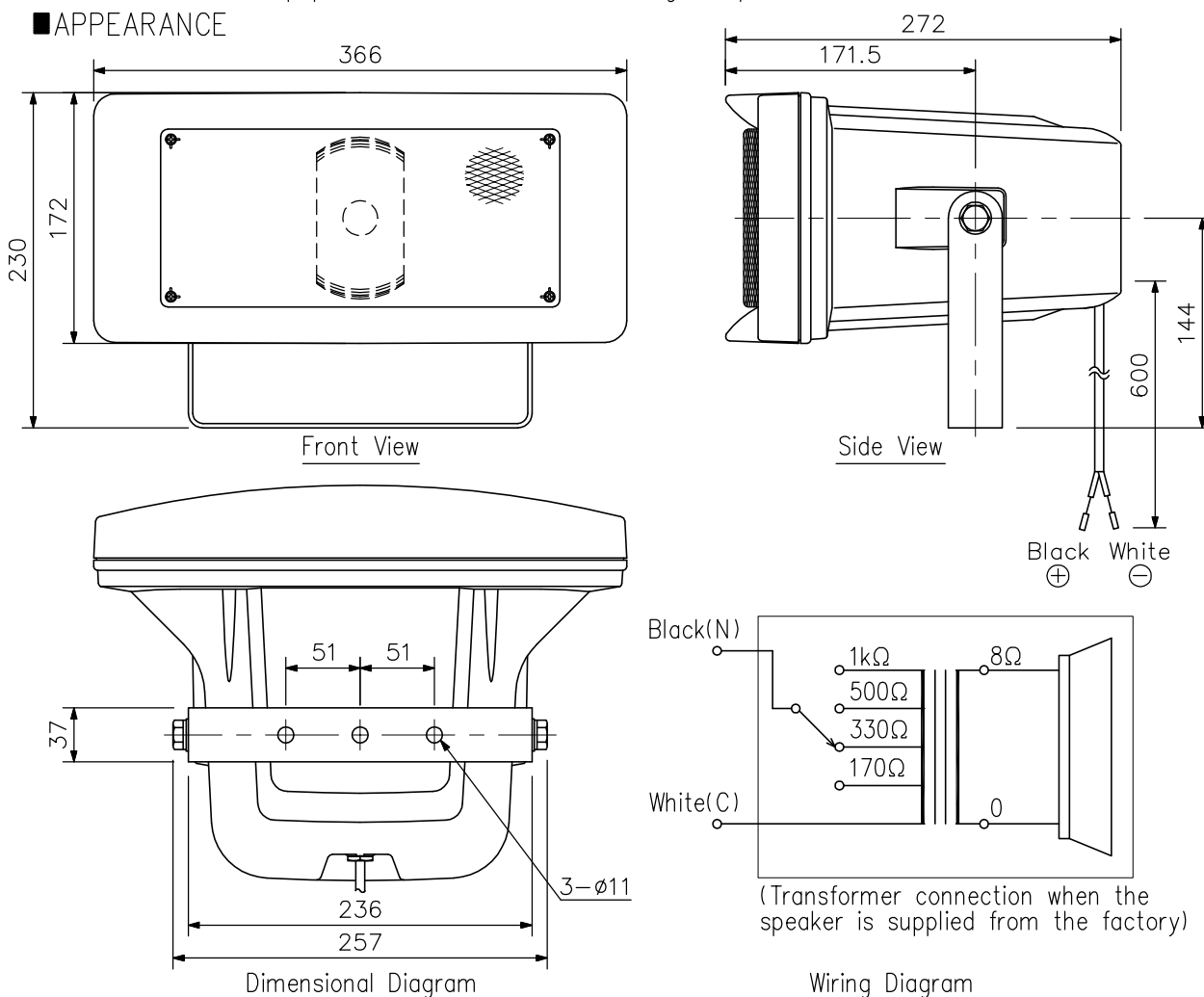
The CS-304 outdoor speaker features stainless steel hardware for all-weather durability. It is designed to offer the high intelligibility of weather-resistant horns combined with the high sound quality of dynamic speakers. The CS-304 employs the rotary switch that facilitates impedance changes. It also employs a constant directivity horn for clear sound output over its horizontal range of 90° operation.

SPECIFICATIONS

Rated Input	30 W
Rated Impedance	100 V line: 330 Ω (30 W), 500 Ω (20 W), 1 kΩ (10 W) 70 V line: 170 Ω (30 W), 330 Ω (15 W), 500 Ω (10 W), 1 kΩ (5 W)
Sensitivity	98 dB (1 W, 1 m)
Frequency Response	120 – 15,000 Hz
Speaker Component	12 cm cone-type
Horizontal Directivity	Constant directivity horn 90° (±45° horizontal from front axis) 93 dB or more (1 W, 1 m), 3 kHz at ±45°
Speaker Cord	2-core cabtyre cord with diameter of 6 mm
Operating Temperature	-20°C to +55°C
Dust/Water Protection	IP65
Finish	Horn, cover: ABS resin, off-white, paint Bracket: Stainless steel Net: Aluminum, gray, paint Screw: Stainless steel
Dimensions	366 (W) × 230 (H) × 272 (D) mm
Weight	3.1 kg

[Note] Do not install the speaker face-up from a horizontal plane nor in such a way that the paper cone is exposed to direct sunlight. If water accumulates on the paper cone, or ultraviolet rays are radiated on it, this may cause the paper cone to deteriorate, leading to speaker malfunction.

APPEARANCE



UNIT: mm SCALE: 1/5